

# Slide-in backflow preventer

## Plastic slide-in backflow preventer

Designed for easy assembly into faucets, fittings, pumps, filtration equipment, and other type of water handling or processing equipment. Low opening pressure.

Low pressure loss. Also for use in rotary piston meters or multi jet water meters (horizontal- up- and downstream).



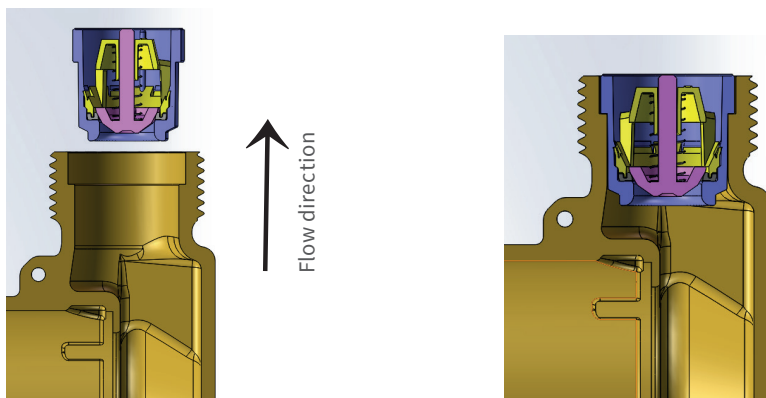
### Performance characteristics at a glance

- Working pressure: 10 bar.
- Max working pressure: 16 bar.
- Max working temperature: 90 °C

### Approvals

- KIWA
- DVGW
- NF
- WRC
- NSF
- ETA
- SITAC

### Mounting example



# Slide-in backflow preventer

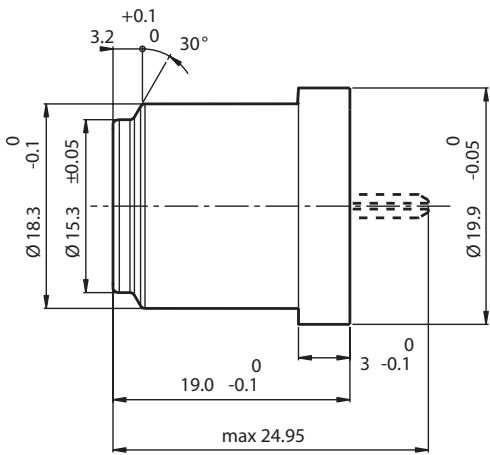
## DN 15

### Technical specifications

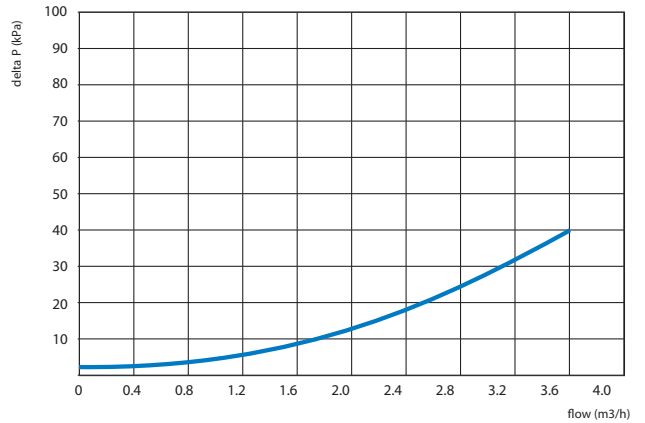
|               |             |
|---------------|-------------|
| Working pres. | PN10        |
| Testing pres. | 1600 kPa    |
| Closing pres. | 10 cm wc    |
| Max. temp.    | up to 90 °C |
| Diam. nominal | DN 15       |

### Material specifications

|           |                 |
|-----------|-----------------|
| House     | POM             |
| Valve     | POM             |
| Torpedo   | POM             |
| Diaphragm | Rubber          |
| Spring    | Stainless Steel |



Pressure loss-curve



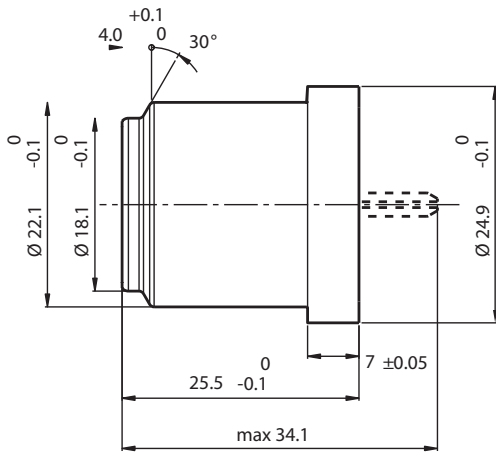
## DN 20

### Technical specifications

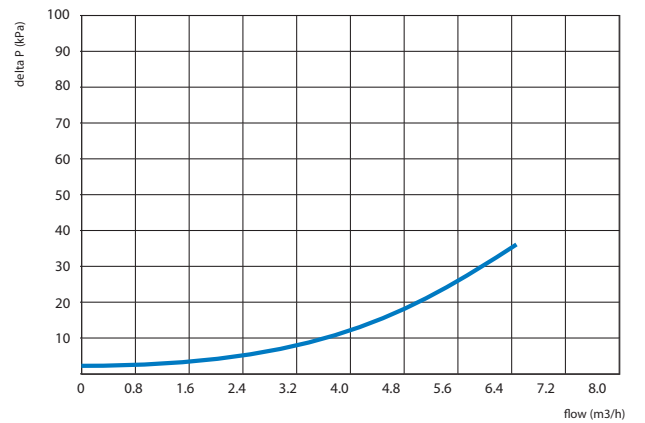
|               |             |
|---------------|-------------|
| Working pres. | PN10        |
| Testing pres. | 1600 kPa    |
| Closing pres. | 10 cm wc    |
| Max. temp.    | up to 90 °C |
| Diam. nominal | DN 20       |

### Material specifications

|           |                 |
|-----------|-----------------|
| House     | POM             |
| Valve     | POM             |
| Torpedo   | POM             |
| Diaphragm | Rubber          |
| Spring    | Stainless Steel |



Pressure loss-curve



# Slide-in backflow preventer

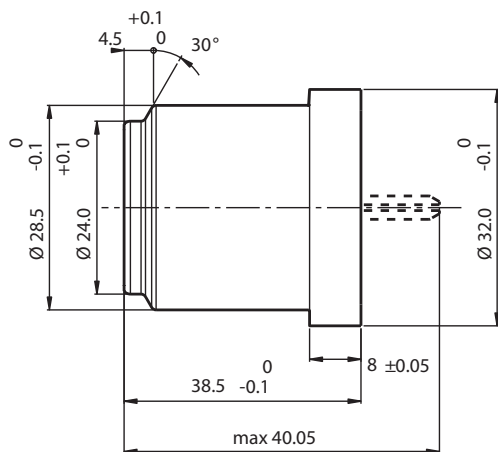
## DN 25

### Technical specifications

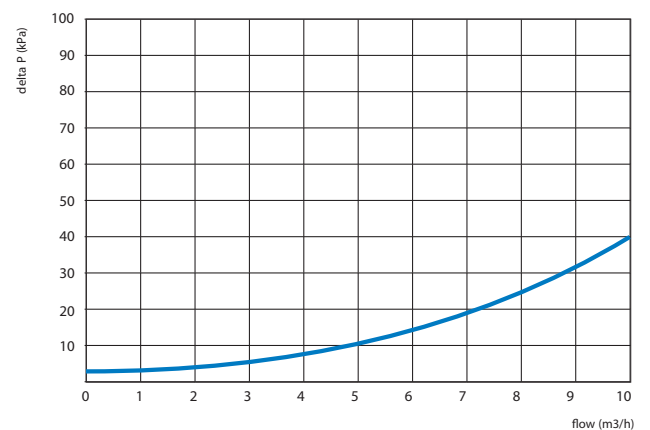
|               |             |
|---------------|-------------|
| Working pres. | PN10        |
| Testing pres. | 1600 kPa    |
| Closing pres. | 10 cm wc    |
| Max. temp.    | up to 90 °C |
| Diam. nominal | DN 25       |

### Material specifications

|           |                 |
|-----------|-----------------|
| House     | POM             |
| Valve     | POM             |
| Torpedo   | POM             |
| Diaphragm | Rubber          |
| Spring    | Stainless Steel |



Pressure loss-curve



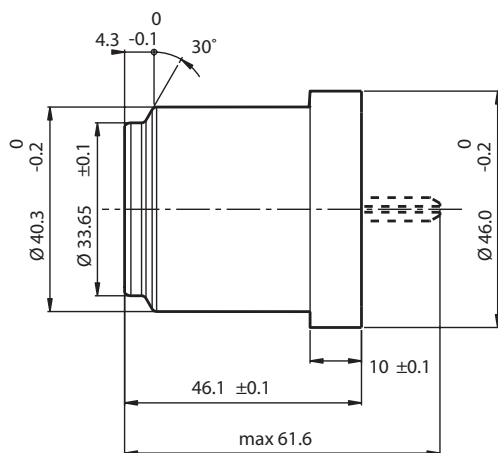
## DN 40

### Technical specifications

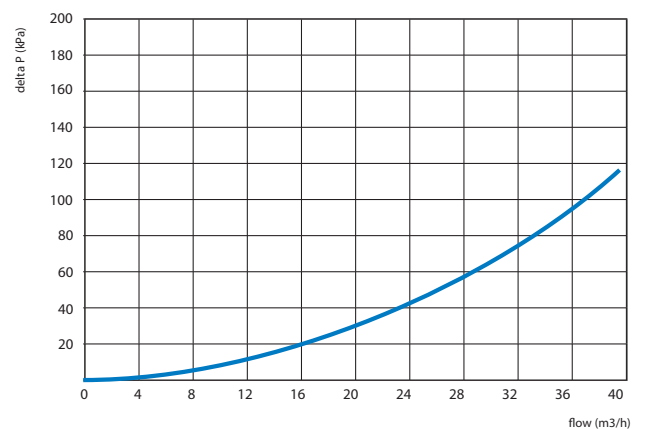
|               |             |
|---------------|-------------|
| Working pres. | PN10        |
| Testing pres. | 1600 kPa    |
| Closing pres. | 10 cm wc    |
| Max. temp.    | up to 90 °C |
| Diam. nominal | DN 40       |

### Material specifications

|           |                 |
|-----------|-----------------|
| House     | POM             |
| Valve     | POM             |
| Torpedo   | POM             |
| Diaphragm | Rubber          |
| Spring    | Stainless Steel |



Pressure loss-curve



**ZENNER International GmbH & Co. KG**

Römerstadt 6  
66121 Saarbrücken  
Germany

Phone +49 681 99 676-30  
Fax +49 681 99 676-3100  
E-Mail [info@zenner.com](mailto:info@zenner.com)  
Internet [www.zenner.com](http://www.zenner.com)