

Backflow preventer

Plastic flanged backflow preventer

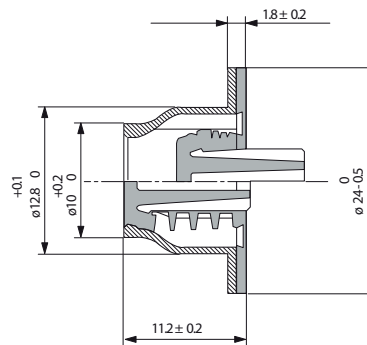
Backflow preventer are used to stop backflow. Usable in various water meters and in a wide variety fittings. Can be used in different inlet combinations and in a number of different water faucets and other devices. No external O-Ring needed. Simple assembly. Low opening pressure. No metal components. Not suitable for fittings with collar.

It must be installed using the original water meter gasket. For correct installation, please refer to the "Mounting example" photo.

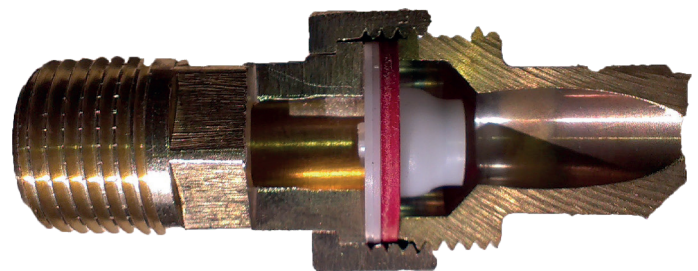


Material Specifications

- Body: POM polymer
- Valve: POM
- O-ring: Rubber
- Working pressure: PN10
- Max. working pressure: 16 bar
- Max. working temperature: up to 90°C
- Diam. nominal: DN15



Product dimensions DN15



Mounting example

Description	Size	Order number
Backflow preventer	½" DN15	153167

ZENNER International GmbH & Co. KG

Römerstadt 6 | 66121 Saarbrücken | Germany

Telefon +49 681 99 676-30
 Telefax +49 681 99 676-3100

E-Mail
 Internet

info@zenner.com
 www.zenner.de