

ZENNER Flush mounting block 2"

Mounting block for measuring capsule Minolist

Two one-piece connecting interface bodies, with integrated shut-off valves are embedded in the heat and sound insulation casing.

Meter and valves can be assembled simply in a single process without prior alignment. The mounting block is thus suitable for assembly in masonry, rear walls and sides as well as for wall-mounted installation.

The ZENNER Block 2" is especially suited to confined installation situations. A one-piece rosette encloses both water meters and the water shut-off valves. The mounting block can be quickly separated from a duo-block to a mono-block by means of a saw groove. All materials which are used in the drinking water section comply with the required standards, guidelines and the current German drinking water approval (Recommendation from Federal Environment Office of suitable drinking water hygienic metal materials, KTW guideline and DVGW worksheet W270).

Note:

The pre-assembled plastic sealing caps must not be used for more than 2 years under pressure. For long-term use or latest after 2 years, the plastic sealing caps should be replaced against brass caps.



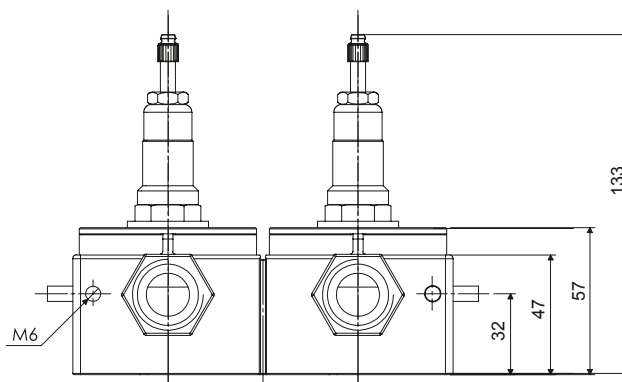
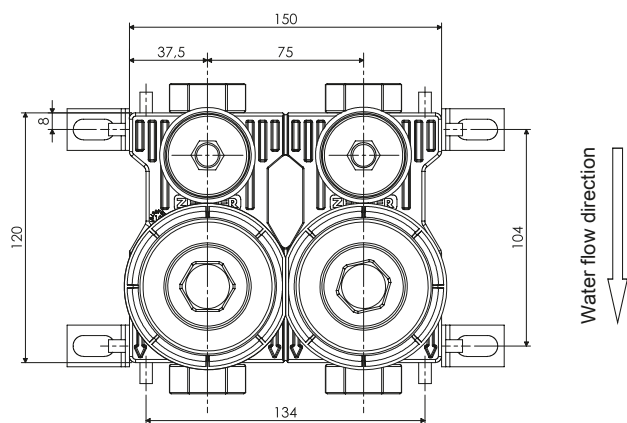
The photo shows one-piece rosette to cover the ZENNER-Block 2"

Performance characteristics in overview

- Water meter block for flush-mounted installation
- Smallest installation dimensions
- One-piece brass flush-mounting units with integrated shut-off valves
- Material of the connection interface available in brass or red brass
- No sealing point within the block
- Installation in vertical pipes only
- For the inclusion of Minolist flush mount meter (Interface IST 2 ")
- One-piece rosette Duo (one-piece rosette for covering both counters and shut-off valves together)
- One-piece rosette Mono (one-piece rosette for covers one counters and one shut-off valve if the block is ben separated)
- Both rosette types are sold separately

Technical data

Dimensions	Width	150 mm
	Height	120 mm
	Depth	47 mm
Connection thread of the pipe connection	Rp	3/4"
Connection thread of the measuring capsule	Rp	2"
Installation	in vertical pipes	



Dimensions

ZENNER International GmbH & Co. KG

Römerstadt 6
 66121 Saarbrücken
 Germany

Phone +49 681 99 676-30
 Fax +49 681 99 676-3100
 E-Mail info@zenner.com
 Internet www.zenner.com