

Flow sensor ISF

Single-jet impeller flow sensor in nominal sizes q_p 0.6 to 2.5 m³/h

The series has reactionless, electronic impeller scanning in connection with a high volume pulse resolution. A built in long-life lithium battery ensures trouble-free operation for at least 5 years (+1 year reserve). There is a threaded hole M10x1 with a closing screw at the housing outlet for the installation of a temperature sensor so that both temperature sensor types DS 27.5 ('AGFW sensor') and also PSC 45 x 5.2 mm or PSC 45 x 5.0 mm can be used. The heat meter calculator ZENNER multidata WR3 or other types with 1 litre volume pulse input are suitable to complete the measuring point.

Performance characteristics at a glance

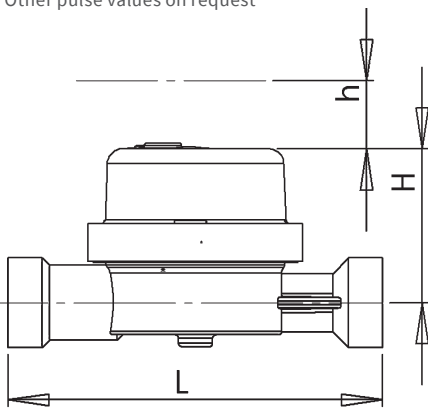
- Electronic impeller pulser
- High resolution volume pulse (1 litre)
- Can be installed in the supply or return pipe
- Installation point for temperature sensors M10x1
- Vertical or horizontal installation position permitted
- Temperature range 10 °C – 90 °C
- Suitable for water glycol heat carriers (without conformity assessment)



Technical data flow sensor ISF					
Nominal flow	q_p	m ³ /h	0.6	1.5	2.5
Maximum flow	q_s	m ³ /h	1.2	3.0	5.0
Minimum flow horizontal	q_i	l/h	12 / 24	30 / 60	50 / 100
Minimum flow vertical	q_i	l/h	12 / 24	30 / 60	50 / 100
Pressure loss at q_p		bar	≤ 0.25		
Minimum pressure (to avoid cavitation)		bar	0.3		
Media temperature range		°C	10 ≤ θ_q ≤ 90		
Measurement accuracy class			3		
Counter output, pulse value			Class OC according to EN 1434-2, max. 20 V, max. 20 mA 1 l/pulse ¹ / pulse duration approx. 100 ms		
Ambient conditions/impact values on climate			Highest permissible ambient temperature 55 °C lowest ambient temp. 5 °C Humidity class IP54		
Mechanical class			M1		
Electromagnetic class			E1		
Auxiliary energy			Lithium battery		
Minimum battery lifespan			5 years + 1 year reserve		
Length of connection wire			approx. 3 m, can be extended to approx. 10 m		
Heat carrier water			Water water-glycol mixture (without conformity assessment)		
Pressure classes PN/PS		bar	16		

Dimensions and connection sizes:					
Installation length	L	mm	110	110	130
Connection			G $\frac{3}{4}$ B	G $\frac{3}{4}$ B	G1B
Approx. height from centre of pipe	H	mm	45	45	49
Necessary free assembly height	h	mm	20	20	20
Weight approx.		kg	0.5	0.5	0.6

¹ Other pulse values on request



Dimensions flow sensor ISF

ZENNER International GmbH & Co. KG

Römerstadt 6 | 66121 Saarbrücken | Germany

Phone +49 681 99 676-30

Telefax +49 681 99 676-3100

E-Mail info@zenner.com

Internet www.zenner.com