

EASY PROTECT Radio smoke alarm with LoRaWAN® radio interface

approved in accordance with DIN EN 14604

The EASY PROTECT Radio smoke alarm was specially developed for use in radio remote reading systems and offers optimum protection. The annual remote inspection via radio saves the annual on-site appointment. Objects in the direct vicinity of the EASY PROTECT radio from 0 to at least 50 cm are detected and documented by the detector's innovative environment monitoring.



Performance characteristics at a glance

- Visual detection procedure with additional temperature sensor for reliable identification of all fire classes
- Built-in, non-removable long-life battery with a service life of 10 years
- Modern design 130 mm in diameter and 40 mm in depth
- Test button for muting false alarms and suppressing non-safety-relevant acoustic error messages for up to 65 hours
- Loud alarm with min. 85 dB (A)
- Event log with all key equipment parameters
- Self-monitoring with error signal
- “Night-time reduction” to lower LED brightness and postpone error messages not relevant to safety; however, error readouts after 24 hours at the latest
- Field of application according to application standard DIN 14676 and approved according to device standard EN 14604:2005
- CE certified to comply with the Construction Products Directive
- LoRaWAN® radio interface for remote inspection
- Comfort function: event-based LoRaWAN telegram when smoke is detected can be activated via downlink (from FW version 2.20)



Approvals

- Approved for the field of application in accordance with DIN 14676 application standard which regulates the planning, installation, operation and maintenance of the smoke alarm
- Approved in accordance with DIN EN 14604: 2005, tested and certified by independent testing institute Kriwan Test Centre with the certification number 1772-CPR-170691
- Awarded the quality label Q, the detector meets the requirements of vfdb-Directive 14-01 (type testing, manufacturing facility monitoring according to AVCP system). Further information on the Q can be found at www.qualitaetsrauchmelder.de/das-q

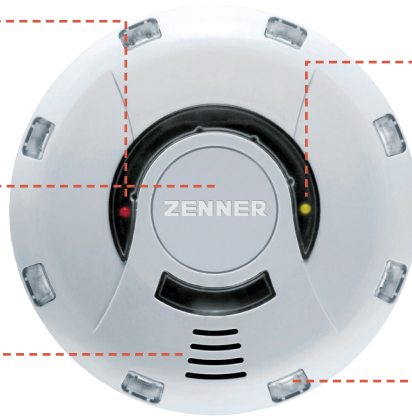


EASY PROTECT Radio smoke alarm with LoRaWAN® radio interface

**LED INDICATOR LIGHT (RED)
WITH NIGHT-TIME REDUCTION**
shows whether the equipment is functioning

LARGE TEST BUTTON
to test and mute the device

SIGNAL GENERATOR
with min. 85 dB (A)



**LED INDICATOR LIGHT (YELLOW)
WITH NIGHT-TIME REDUCTION**
for differentiation of error signals

ENVIRONMENT/DISTANCE MONITORING
Sensor technology for the detection of objects in the environment from 0 to min. 50 cm, which can obstruct smoke penetration

Protocol contents (SP* telegrams)	Interval
Serial number (DevEUI)	once when logging into the LoRaWAN network
Status information (24:00 on previous day)	daily
Current date with time	monthly
Device-specific information (Firmware version, LoRaWAN version, device type)	six-monthly

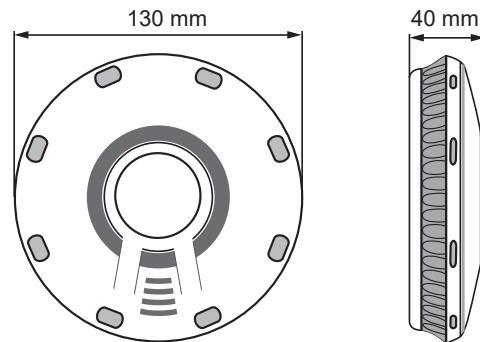
*synchronous packets = regular

Protocol contents (AP** telegrams)	Interval
Status information (manipulation, battery error)	event-driven
Smoke alarm detected	event-driven if the function was activated via downlink (possible from FW version 2.20)

**asynchronous packets = event-driven

Technical data LoRaWAN® - Interface

Transmission mode	LoRaWAN®, bidirektional, Klasse A
Frequency	868 MHz
Encryption	AES-128
Transmission interval	daily
max. transmission power	25 mW



Dimensions

ZENNER International GmbH & Co. KG

Römerstadt 6 | 66121 Saarbrücken | Germany

Phone +49 681 99 676-30
Fax +49 681 99 676-3100

E-Mail info@zenner.com
Internet www.zenner.com