

Smoke alarm EASY PROTECT Radio with wireless M-Bus radio interface

approved in accordance with DIN EN 14604

The EASY PROTECT Radio smoke alarm was specially developed for use in radio remote reading systems and offers optimum protection. The annual remote inspection via radio saves the annual on-site appointment. Objects in the direct vicinity of the EASY PROTECT radio from 0 to at least 50 cm are detected and documented by the detector's innovative environment monitoring.



Product characteristics

- Visual detection procedure with additional temperature sensor for reliable identification of all fire classes
- Built-in, non-removable long-life battery with a service life of 10 years
- Modern design 130 mm in diameter and 40 mm in depth
- Test button for muting false alarms and suppressing non-safety-relevant acoustic error messages for up to 65 hours
- Loud alarm with min. 85 dB (A)
- Event log with all key equipment parameters
- Self-monitoring with error signal
- "Night-time reduction" to lower LED brightness and postpone error messages not relevant to safety; however, error readouts after 24 hours at the latest
- Field of application according to application standard DIN 14676 and approved according to device standard EN 14604:2005
- CE certified to comply with the Construction Products Directive
- Wireless M-Bus interface for remote inspection

Approvals

- Approved for the field of application in accordance with DIN 14676 application standard which regulates the planning, installation, operation and maintenance of the smoke alarm.
- Approved in accordance with DIN EN 14604: 2005, tested and certified by independent testing institute Kriwan Test Centre with the certification number 1772-CPR-170691.
- Awarded the quality label Q, the detector meets the requirements of vfdb-Directive 14-01 (type testing, manufacturing facility monitoring according to AVCP system). Further information on the Q can be found at www.qualitaetsrauchmelder.de/das-q

Smoke alarm EASY PROTECT Radio with wireless M-Bus radio interface

LED INDICATOR LIGHT (RED) WITH NIGHT-TIME REDUCTION

Shows whether the equipment is functioning

LARGE TEST BUTTON

To test and mute the device

SIGNAL GENERATOR

With min. 85 dB (A)



LED INDICATOR LIGHT (YELLOW) WITH NIGHT-TIME REDUCTION

For differentiation of error signals

ENVIRONMENT/DISTANCE MONITORING

Sensor technology for the detection of objects in the environment from 0 to min. 50 cm, which can obstruct smoke penetration

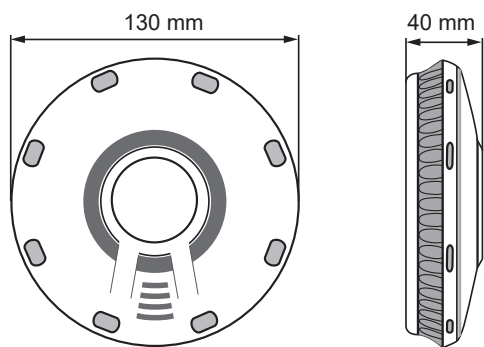
Technical data wireless M-Bus interface

Transmission mode	wireless m-bus, unidirectional, Mode C1, Version 4.0.2
Frequency	868 MHz
Encryption	AES-128, Encryption Mode 5
Transmission interval	180 s*
Max. transmission power	25 mW

* After activation, the module transmits for a period of one hour with a quicker transmission interval of 20 s (commissioning scenario).

Possible status information / error messages

- Battery error
- Smoke chamber pollution (forewarning)
- Smoke chamber pollution
- Test button failure
- Horn drive failure
- Removing detection
- Test alarm released
- Smoke alarm released
- Ingress apertures obstruction detected
- Object in the surroundind area detected
- LED failure



Dimensions

Protocol contents

- Serial number
- Error code
- Current device status
- Device status from the day before including a timestamp
- 15 previous monthly values

ZENNER International GmbH & Co. KG

Römerstadt 6 | 66121 Saarbrücken | Germany

Phone +49 681 99 676-30
Fax +49 681 99 676-3100

E-Mail info@zenner.com
Internet www.zenner.com